



4

Turnierplan 8er Raster Doppel K.O.

16.10.23

31
21

| | |
|---|-----------------|
| 5 | Jürgen Trankler |
| 6 | David Graf |

Spiel um Platz 5 + 6

| | |
|---|----------|
| 7 | David |
| 8 | Höttschi |

Spiel um Platz 7 + 8

| |
|--------|
| Heinzi |
| Carlos |

| |
|----------|
| Hr. Karl |
| Heinzi |

Verlierer spielen um Platz 5 + 6

Verlierer spielen um Platz 7 + 8

| |
|------------|
| Heinzi |
| David Graf |

| |
|----------|
| HEINZI |
| Höttschi |

| |
|--------|
| Carlos |
| Heinzi |

| |
|-----------------|
| Jürgen Trankler |
| Höttschi |

| |
|-----------------|
| CARLOS |
| Jürgen Trankler |

| |
|------------|
| David Graf |
| David |

| |
|----------|
| Hr. Karl |
| Ger i |

| |
|----------|
| DAVID |
| Hr. KARL |

| |
|-----------------|
| Jürgen Trankler |
| Hr. Karl |

| |
|------------|
| DAVID GRAF |
| GERI |

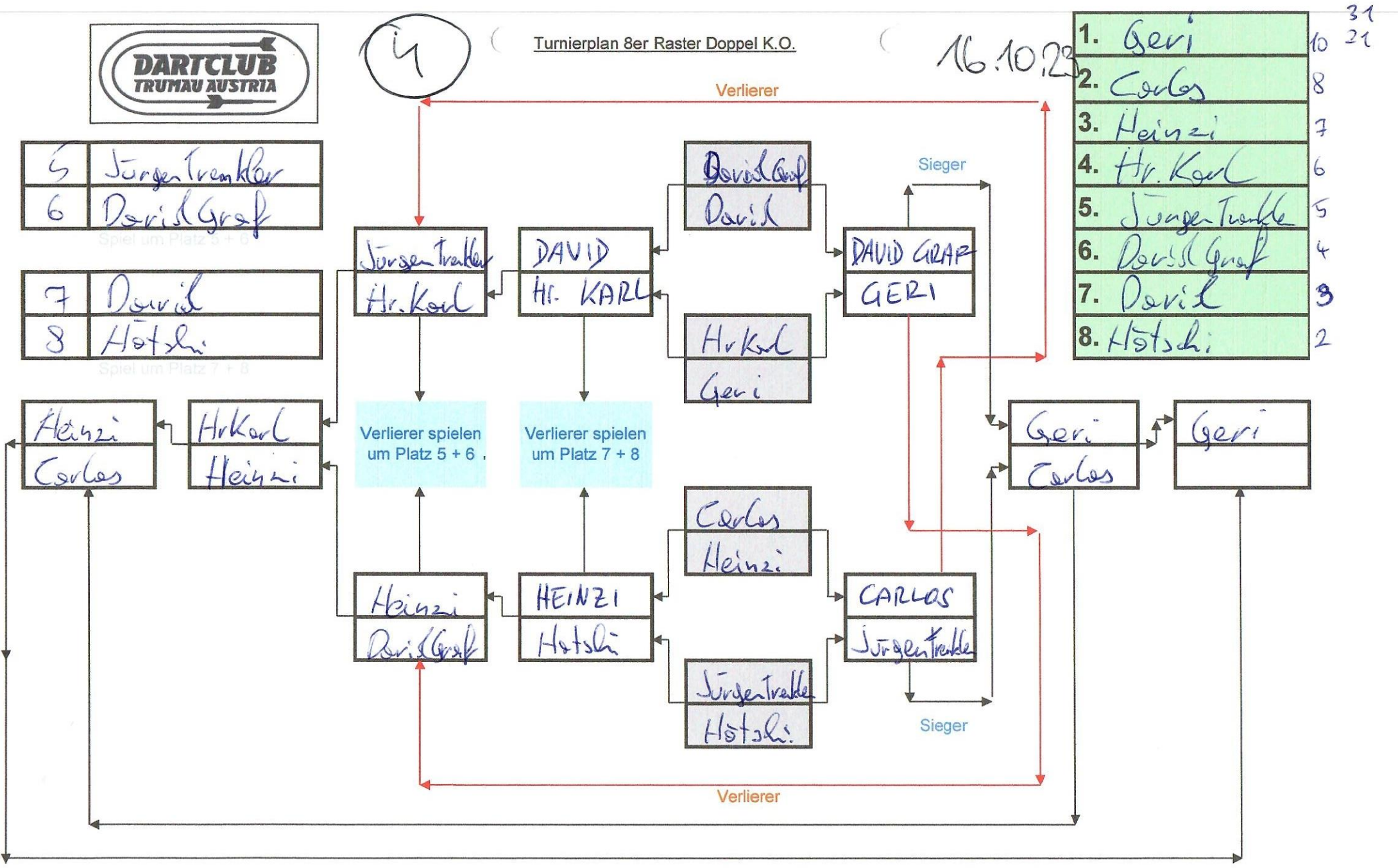
| | | |
|----|-----------------|----|
| 1. | Ger i | 10 |
| 2. | Carlos | 8 |
| 3. | Heinzi | 7 |
| 4. | Hr. Karl | 6 |
| 5. | Jürgen Trankler | 5 |
| 6. | David Graf | 4 |
| 7. | David | 3 |
| 8. | Höttschi | 2 |

Verlierer

Sieger

Sieger

Verlierer



GLADIATOR TAGESWERTUNG

4

Datum: 16.10.23

| SPIELER: | LEBEN: | HS | HF | Glad | Total |
|----------|--------|----|----|------|-------|
|----------|--------|----|----|------|-------|

| SPIELER: | LEBEN: | HS | HF | Glad | Total |
|----------|--------|----|----|------|-------|
|----------|--------|----|----|------|-------|

| | | | | | | | |
|----|-------------------|-------------|---|--|---|---|---|
| 1 | Karin | 6 5 4 3 2 1 | | | 1 | 1 | ✓ |
| 2 | Heinzi | 6 5 4 3 2 1 | | | 7 | 7 | ✓ |
| 3 | Mouxi | 6 5 4 3 2 1 | | | 1 | 1 | ✓ |
| 4 | Rudi | 6 5 4 3 2 1 | | | 1 | 1 | ✓ |
| 5 | Jörgen Birstinger | 6 5 4 3 2 1 | | | 1 | 1 | ✓ |
| 6 | Inge | 6 5 4 3 2 1 | | | 1 | 1 | ✓ |
| 7 | David | 6 5 4 3 2 1 | 1 | | 3 | 4 | ✓ |
| 8 | Hr. Karl | 6 5 4 3 2 1 | | | 6 | 6 | ✓ |
| 9 | UCF | 6 5 4 3 2 1 | 1 | | 1 | 2 | ✓ |
| 10 | Philipp 2. | 6 5 4 3 2 1 | | | 1 | 1 | ✓ |
| 11 | Ahmed | 6 5 4 3 2 1 | | | 1 | 1 | ✓ |
| 12 | Hötschi | 6 5 4 3 2 1 | | | 2 | 2 | ✓ |
| 13 | Alois | 6 5 4 3 2 1 | | | 1 | 1 | ✓ |
| 14 | Matth | 6 5 4 3 2 1 | | | 1 | 1 | ✓ |
| 15 | Alexandra K | 6 5 4 3 2 1 | | | 1 | 1 | ✓ |
| 16 | Vanessa K | 6 5 4 3 2 1 | | | 1 | 1 | ✓ |
| 17 | Christian K | 6 5 4 3 2 1 | | | 1 | 1 | ✓ |
| 18 | Harry W | 6 5 4 3 2 1 | | | 1 | 1 | ✓ |

| | | | | | | | |
|----|-----------------|-------------|----|----|----|----|---|
| 19 | ✓ Carlos | 6 5 4 3 2 1 | 1 | | 8 | 9 | ✓ |
| 20 | ✓ Jürgen Trenka | 6 5 4 3 2 1 | | | 5 | 5 | ✓ |
| 21 | David Graf | 6 5 4 3 2 1 | 11 | | 4 | 6 | ✓ |
| 22 | Stefan | 6 5 4 3 2 1 | | | 1 | 1 | ✓ |
| 23 | Willi | 6 5 4 3 2 1 | | | 1 | 1 | ✓ |
| 24 | Thomas Artner | 6 5 4 3 2 1 | 1 | | 1 | 2 | ✓ |
| 25 | Geri | 6 5 4 3 2 1 | | 11 | 10 | 12 | ✓ |
| 26 | Heimo | 6 5 4 3 2 1 | | | 1 | 1 | ✓ |
| 27 | | 6 5 4 3 2 1 | | | | | |
| 28 | | 6 5 4 3 2 1 | | | | | |
| 29 | | 6 5 4 3 2 1 | | | | | |
| 30 | | 6 5 4 3 2 1 | | | | | |
| 31 | | 6 5 4 3 2 1 | | | | | |
| 32 | | 6 5 4 3 2 1 | | | | | |
| 33 | | 6 5 4 3 2 1 | | | | | |
| 34 | | 6 5 4 3 2 1 | | | | | |
| 35 | | 6 5 4 3 2 1 | | | | | |
| 36 | | 6 5 4 3 2 1 | | | | | |